



Technical Service BULLETIN

October 6, 2000

Title:

DAYTIME RUNNING LIGHT DISABLING PROCEDURE

Models:

All Models

ELECTRICAL
ELO11-00

Introduction Some customers may request to have the Daytime Running Lights (DRL) on their Toyota vehicle disabled. These customers may live or work in military bases or in communities that have light-sensitive gates or guardhouses. This bulletin provides instructions for disabling the feature on the Toyota vehicles listed below. If the Daytime Running Lights (DRL) have been previously disabled, the information in this bulletin can be used to enable the feature at the request of the customer.

IMPORTANT:
Please be sure the customer is informed that when the Daytime Running Lights (DRL) are being disabled, although it is not required by the Federal Motor Vehicle Safety Standards for safety compliance, it has been listed as a safety feature in advertising brochures. In addition, on models equipped with the Twilight Sentinel feature, the headlights will be defaulted to a manual system and will no longer function automatically.

Applicable Vehicles

- All Models equipped with Daytime Running Lights (DRL) (see chart below).

Parts Information

TOOLS & MATERIALS	QUANTITY
Wire Harness Repair Kit	1

NOTE:
After referencing the chart, proceed to the repair procedure on the following pages.

Reference Chart

MODEL	MODEL YEAR	ECU	CONNECTOR	PIN#	EWD PG#
Avalon	1999	DRL Main Relay	D4	1	110
	2000	Body ECU	B5	6	99
Camry S/D*	1999	DRL Main Relay	D6	23	102
	2000			10	96
Camry Solara*	1999/2000			23	102/96
Celica*	2000			Body ECU	B6
Corolla*	1999/2000	DRL Main Relay	D3	23	84/72
ECHO	2000		D2	12	67
4Runner	2000		D8	2	99
Land Cruiser	1999/2000				90/88
MR2 Spyder	2000		D2	12	69
RAV4	1999/2000		D17	2	72/70
Sienna	1999/2000		D4		83/81
Tacoma	2000		D8		115
Tundra	2000		D7		95

* Vehicles equipped with Twilight Sentinel.

Warranty Information

OPCODE	DESCRIPTION	TIME	OPN	T1	T2
N/A	Not Applicable to Warranty	-	-	-	-

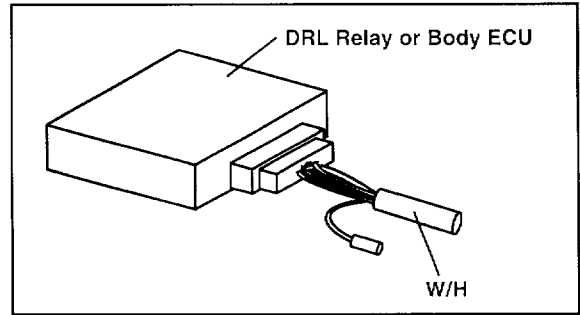


Toyota Supports ASE Certification

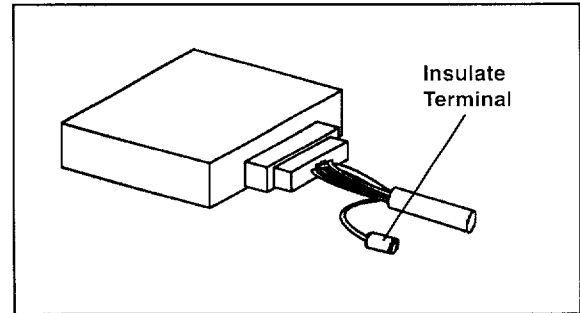
Index # 054234

Repair Procedure

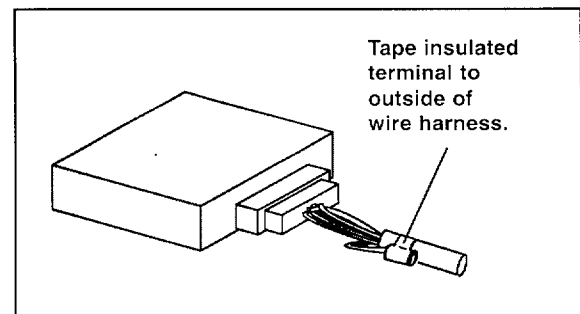
1. Disconnect the Battery.
2. Use the locking pick tool from the wire harness repair kit and back out the terminal from the appropriate connector for the DRL Relay or Body ECU. See the Reference Chart on Page 1 of this bulletin for pin and connector information.



3. Insulate the removed terminal using vinyl electrical tape.

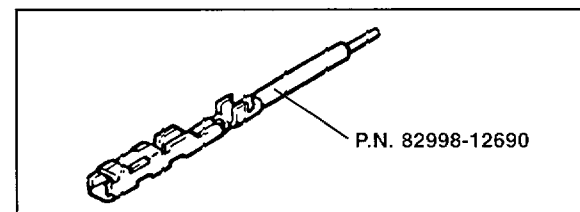


4. Secure the wire and terminal to the outside of the wire harness using vinyl electrical tape.

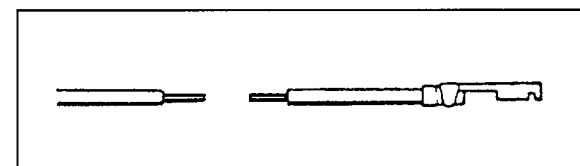


NOTE:
For the 2000 MY Avalon, proceed to Step 5. For all remaining models, proceed to Step 6.

5. For 2000 model year Avalon:
 - A. Order a new terminal with lead that is the same size and type as the terminal previously removed from the connector. (PN 82998-12690)

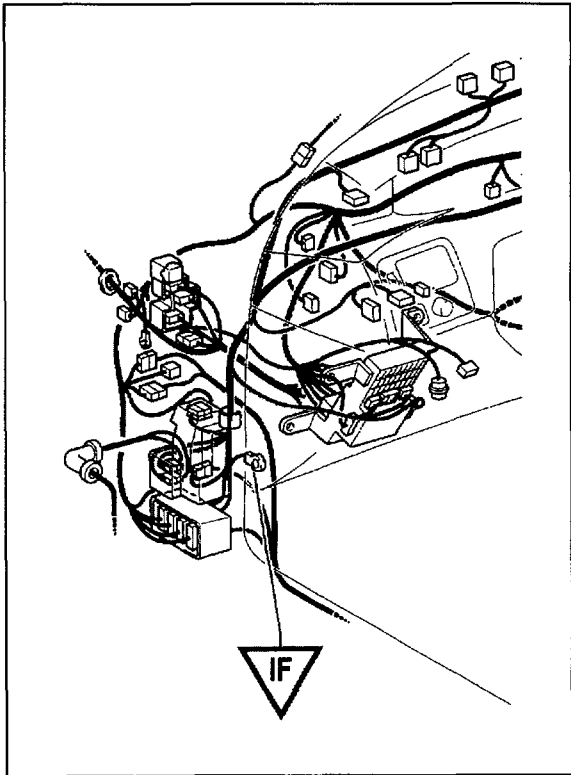
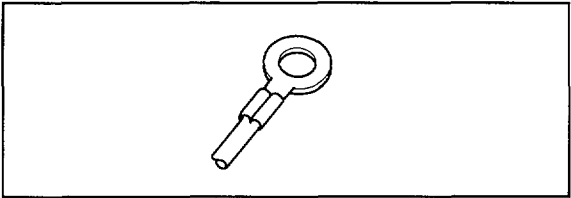


- B. Securely attach a 45 cm/ 18 in wire with an outside diameter of 2.0 mm or larger to the tail of the new terminal.



Repair Procedure
(Continued)

- C. Securely attach an eyelet with a hole size of 7 mm to the end of the new wire.
- D. Insert the new terminal with lead into the Body ECU Connector B5, previously vacated by the original terminal.
- E. Properly attach and route the new wire to the exterior of the existing wire harness in a manner that will not allow it to become damaged or come into contact with any other circuits.
- F. Securely attach the eyelet to the existing ground point located in the left kick panel area.
(Ground Point IF)



- 6. Check that the Daytime Running Light (DRL) operation has been disabled.
- 7. Reassemble any interior panels that were removed to gain access to components, connectors, etc.