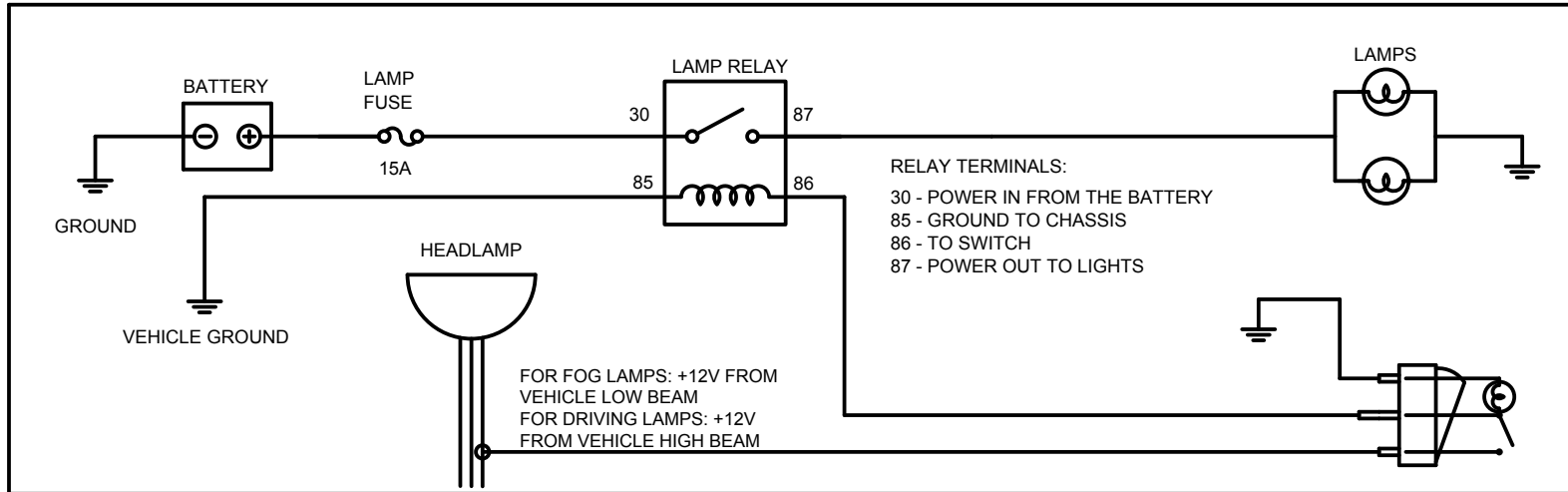


WIRING SCHEMATIC FOR VEHICLES WITH THE +12V SWITCHED ON THE HEADLAMPS
 (+12V ON LOW BEAM WITH 0V ON HIGH BEAM, OR 0V ON LOW BEAM WITH +12V ON HIGH BEAM)



WIRING SCHEMATIC FOR VEHICLES WITH THE GROUND SWITCHED ON THE HEADLAMPS
 (+12V ON LOW BEAM AND +12V ON HIGH BEAM WHEN LIGHT SWITCH IS ON)

